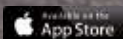


UNIVERSAL WOOD SHREDDER



1

# AXTOR 4510



EDITION WITH AUGMENTED REALITY CONTENT



Download the „Komptech LookBeyond!“ app. Scan marked and numbered projects with the „LookBeyond! eye“ to see additional information.





## APPLICATION

# AXTOR IN OPERATION

## HIGHLIGHTS

- » Large 4.15 m long x 1.43 m wide feed area with tilt hopper
- » Active intake with tough sectional steel conveyor and very large intake opening
- » 2 modes - shredder or chipper
- » Ideal maintenance access to engine and drum
- » Mobility: 2-axle central trailer or tracked chassis

The new Axtor 4510 is a universal high-speed wood chipper whose features and performance are expressly designed to meet the demands of small and medium scale users.

With a 462 HP engine and the same drum dimensions as the Axtor 6010, the new Axtor is a balanced package with exactly the right performance and economy.

Its compact dimensions and low total weight under 19 tonnes in the trailer version simplify transportation, and make the Axtor 4510 viable for contract service providers. Its flexibility is another plus - whether waste wood, green cuttings or trunks, it always turns out the ideal product.

It features a wide feed area with tilt hopper, tough and aggressive intake system, and roomy service platform with excellent access to engine and drum for maintenance work.



**01**  
CAT® diesel engine with latest emission control (stage V)

**02**  
One-piece discharge conveyor with 4.5 m discharge height

**03**  
Drum with shredding or chipping tools

**04**  
Feed with large, aggressive feed drum, Feed high 850 mm

**05**  
Feed area with hinged hopper and steel belt conveyor



**PLENTY OF ROOM**

The feed hopper is sized to be a perfect match for the machine's performance. Over 4 metres long (3.6 metres active conveyor), almost 2 metres wide, and just 2.2 metres loading height - these dimensions mean stress-free work.



**READY FOR BIG THINGS**

The combination of large intake opening and aggressive intake roller makes for easy feeding of bulky items. The 1.1 m drum diameter and ideally positioned counter-cutter give a power-saving cut geometry, which translates to high performance and perfect chip output quality.

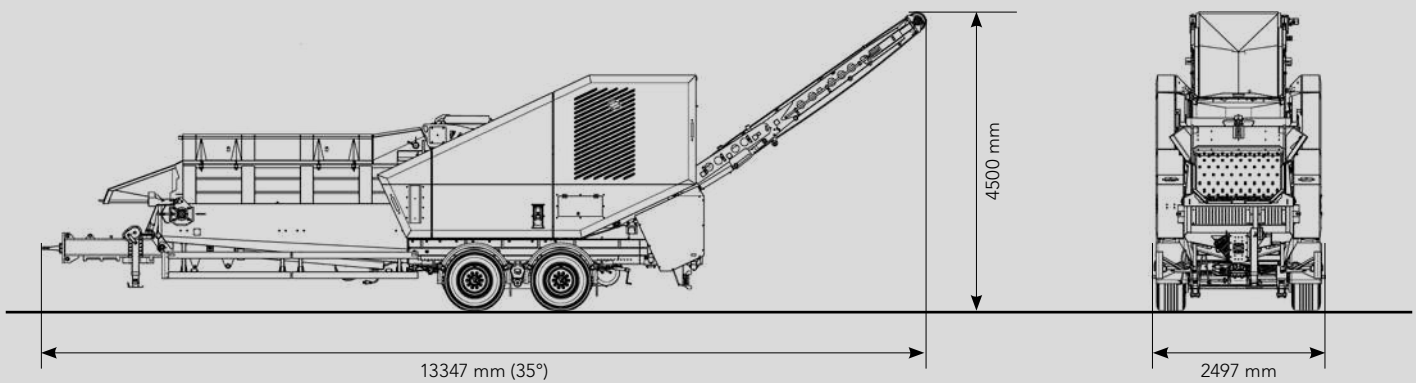


**MAINTENANCE MADE EASY**

The central service platform can be accessed effortlessly by the integrated ladder after opening the side doors. From there all maintenance work on the drum and engine can be done easily and safely, as can screen basket changes.

## TECHNICAL SPECIFICATIONS

# AXTOR 4510



<b>Drive</b>	
Engine:	CAT® C9.3B Tier 4 Final / Stage V
Power (kW/HP):	340 / 462
<b>Material feed</b>	
Feed table L x W (mm):	4155 (3600 active) x 1430
Feed table height (mm):	2250
Number of feed drums:	1 horizontal
Feeder opening H x W (mm):	850 x 1430
<b>Shredding unit</b>	
Drum diameter x drum width (mm):	1100 x 1510
Tools:	32 free-swinging tools or 32 fixed tools
Drum rpm:	460
<b>Material discharge</b>	
Conveyor belt L x W (mm):	1200
Max. discharge height (35°, mm):	4500
<b>Dimensions</b>	
Transport dimensions L x W x H (mm):	Trailer: 9980 x 2497 x 3700 Track: 8390 x 2497 x 3580
Working dimensions L x W x H (Conveyor belt 35°, mm):	Trailer: 13347 x 2497 x 4415 Track: 12490 x 2497 x 4300
Weight, dependent on equipment (t):	Trailer: ~ 19 Track: ~ 21
<b>Throughput</b> (dependent on material)	
Throughput performance (m³/h):	up to 240

Komptech GmbH  
 Kühau 37, A-8130 Frohnleiten, Austria  
 [t] +43 3126 505 - 0  
 [f] +43 3126 505 - 505  
 [e] info@komptech.com

[www.komptech.com](http://www.komptech.com)