

Product Overview

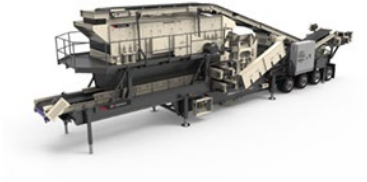


Contents



Modular Plants

- 04 Jaw Modules
- 05 Cone Modules
- 06 Horizontal Screen Modules
- 07 Surge Bins



Portable Plants

- 10 Jaw Plants
- 11 Tracked Jaw Crusher
- 12 Closed Circuit Cone / Screen Plants
- 13 Open Circuit Cone Plants
- 14 Tracked Cone Crusher
- 15 Horizontal Shaft Impactor Plants
- 16 Screen Plants



Static

- 22 Jaw Crushers
- 23 Roller Bearing Cone
- 24 Spider Bearing Cone Crusher
- 25 Horizontal Shaft Impactors
- 26 Horizontal Screens
- 27 Vibrating Grizzly Feeders



CCM Automation

- 17 CCM Automation



Parts

- 28 Parts

Cedarapids®

Power.
Precision.
Performance.

That's what A world working better™ means.

Cedarapids® provides a complete range of crushing and screening equipment to customers around the world operating in four key industries:

- mining
- aggregates
- demolition and recycling
- industrial minerals

Our equipment is designed to produce the highest quality end products in processing hard and soft rock, sand and gravel, ore and industrial minerals.

We provide Modular and Portable plants and Static components – plus full parts, service and maintenance with support you can count on, wherever you are.

We understand your business

We know that you need operational reliability, cost-effectiveness and outstanding service. We've spent nearly one hundred years building our business around delivering all three. Because when you succeed, we succeed.

World Class Service and Support

With Cedarapids®, you don't just get best-in-class engineering technology. You get the service, training and support to match.

We understand your need to maximize productivity and control operating costs across the working life of every piece of equipment.

We share those goals – and have the solutions to help keep your operations running smoothly, through a dedicated global support network backed by decades of proven experience and expertise.



Cedarapids® Modular Plants

Flexible, Robust Design with Logistics in Mind.

Comprehensive, flexible and effective, the Cedarapids® Modular product range has been specifically created to meet a wide range of static crushing and screening applications.

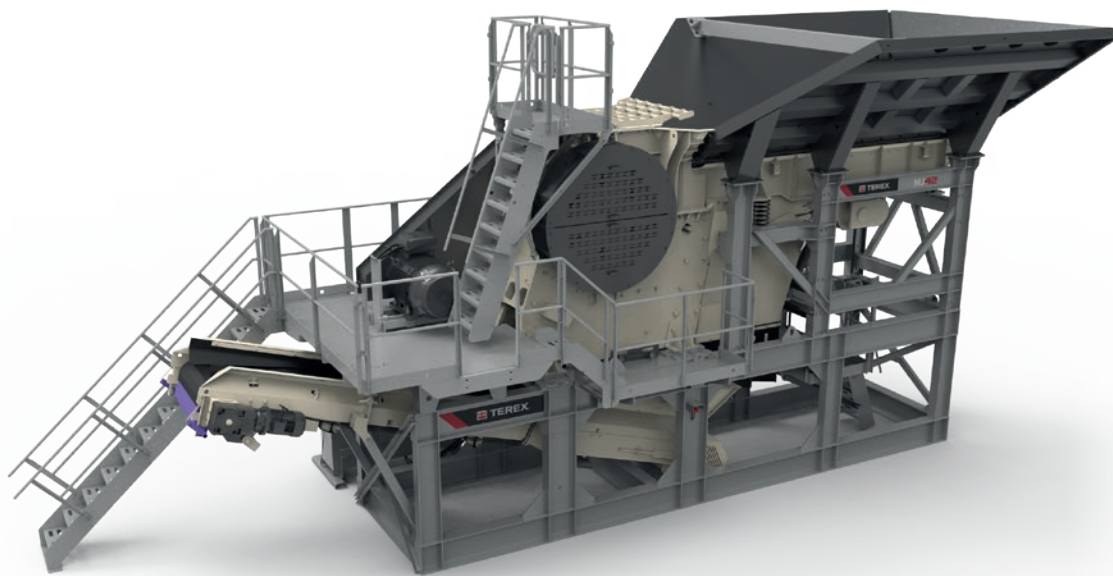
All modules are pre-engineered and pre-built to operate on a small footprint with low civil engineering and operating costs with fast, easy on-site assembly and minimal wiring. Plus, the modules and components can be easily transported in standard shipping containers or by road, enabling you to quickly mobilize on site to a different location.

This means you can count on engineering technology that delivers in terms of maintenance access, longevity, and cost per ton. And of course, all backed by an expert global support network committed to keeping you operational, productive – and profitable.



Jaw Modules

The Cedarapids Range of modular jaw crushers simply crushes the competition. Designed with the end user in mind these plants have easy maintenance access and feature our world renowned jaw chambers for reliability and performance.



Model	Main Components	Motor Size	Capacity (MTPH)	Shipping Configuration
MJ42	JW42 (30" x 42") Jaw Crusher, 40" x 14' Feeder	150 hp (110 kW)	155-480 (140-435)	(3) 40ft shipping containers
MJ400R	TJ2844 (28" x 44") Jaw Crusher 40" x 14' Feeder	150 hp (110 kW)	127-281 (115 -255)	(3) 40ft shipping containers
MJ47	ST47 (36" x 48") Jaw Crusher, 51" x 24' Feeder	200 hp (150 kW)	210-670 (190-608)	(6) 40ft shipping containers plus (1) flat rack
MJ55	JW55 (32" x 55") Jaw Crusher, 52" x 20' Feeder	200 hp (150 kW)	255 - 760 (231 - 690)	(6) 40ft shipping containers plus (1) flat rack

Cone Modules

Cedarapids modular range of cone crushing equipment is unmatched in productivity and efficiency. Based on our Uni™ modular platform your Cedarapids modular cone crusher can grow with your business by only upgrading the cone crusher chamber and keeping your modular frame.



Model	Main Components	Motor Size	Capacity (MTPH)	Shipping Configuration
MC1000	TC1000 Cone Crusher	250 hp (185 kW)	75 - 240 (68 - 218)	(1) 40ft shipping container plus (1) 20ft container
MC1150	TC1150 Cone Crusher	300 hp (224 kW)	165 - 320 (150 - 290)	(1) 40ft shipping container plus (1) 20ft container
MC1300	TC1300 Cone Crusher	300 hp (224 kW)	180 - 350 (163 - 318)	(1) 40ft shipping container plus (1) 20ft container
MC320	TG320 Cone Crusher	300hp (225 kW)	419-452 (380-410)	(1) 40ft shipping container plus (1) 20ft container
MC380X	MVP380X Cone Crusher	300 hp (224 kW)	170-560 (155-507)	(1) 40ft shipping container plus (1) 20ft container
MC450X	MVP450X Cone Crusher	400 hp (300 kW)	200-645 (182-585)	(1) 40ft shipping container plus (1) flat rack

Horizontal Screen Modules

Our modular screening range features the revolutionary Cedarapids horizontal screens, combining the efficient, high g-force El-Jay® oval stroke action, and a large blending chute for a range of discharge options.



Model	Main Components	Motor Size	Shipping Configuration
MHS6203	LJ-TSV6203 (6' x 20') Three deck Horizontal screen	40 hp (30 kW)	(2) 40ft shipping container plus (1) flat rack or (1) additional shipping container
MHS8203	LJ-TSV8203 (8' x 20') Three deck Horizontal screen	50 hp (37 kW)	(2) 40ft shipping container plus (1) flat rack

Surge Bin Modules

Our Surge Bin Modules are designed to increase productivity by providing a constant flow of material to your modular plants.



Model	Main Components	Motor Size	Capacity (MT)	Shipping Configuration
MSF24	36" x 72" Vibrating Pan Feeder	2.5 hp (1.8 kW)	57 Ton (51)	(1) 20ft container

Cedarapids® Portable Plants

Exceptional Productivity and Efficiency.

Cedarapids® high-capacity portable crushing systems are designed to deliver and built to last. They're quick to set up, easy to operate and are low maintenance.

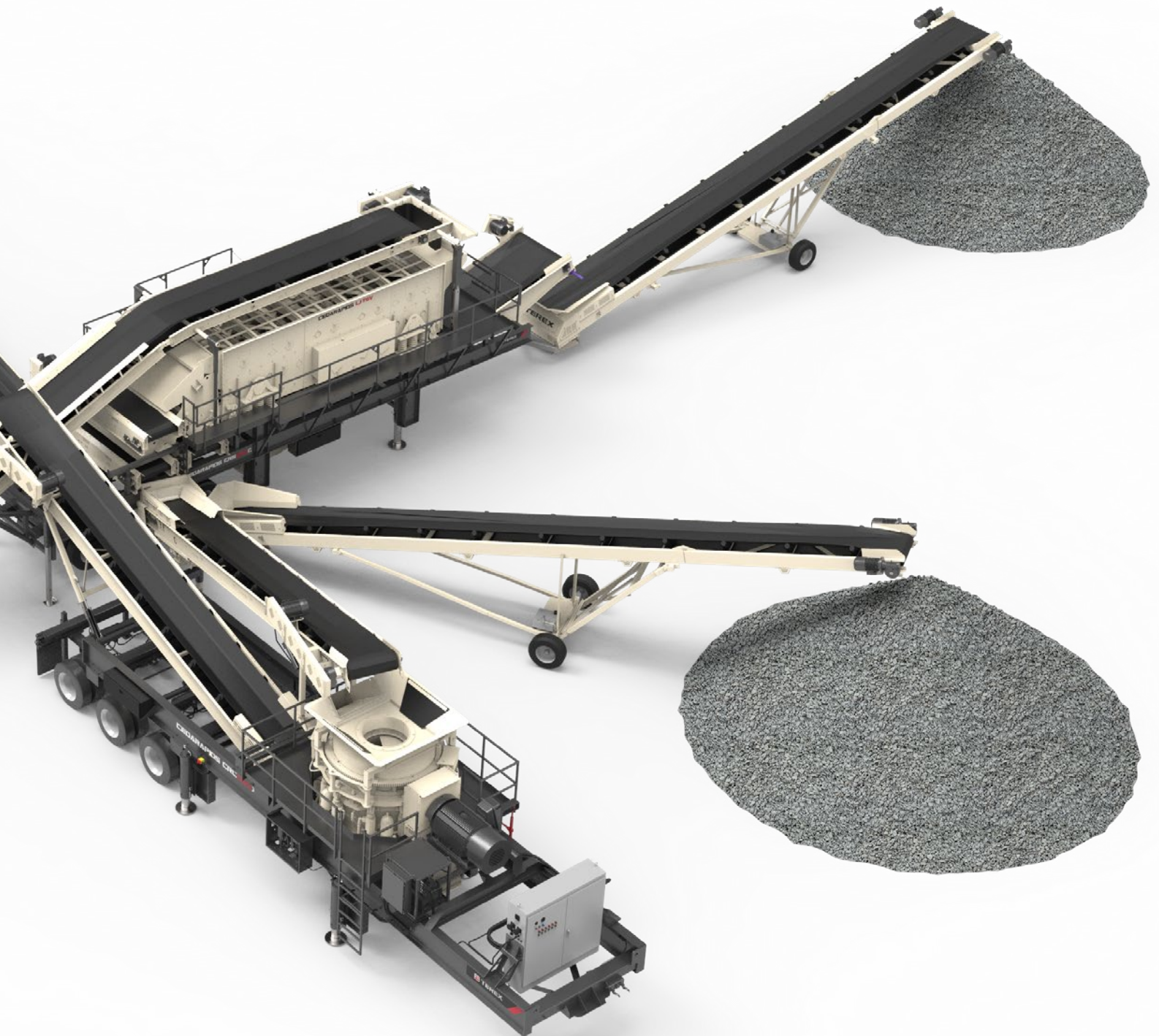
Their exceptional portability, productivity, efficiency and quality deliver real advantages over other systems.

Cedarapids® Portable Crushing & Screening Plants offer the essential flexibility, control and reliability to make the difference - whatever the application, wherever the location.

Cedarapids CCM™ automation allows you to plug & play multiple plants together for low cost automated systems.

(See Page 15)

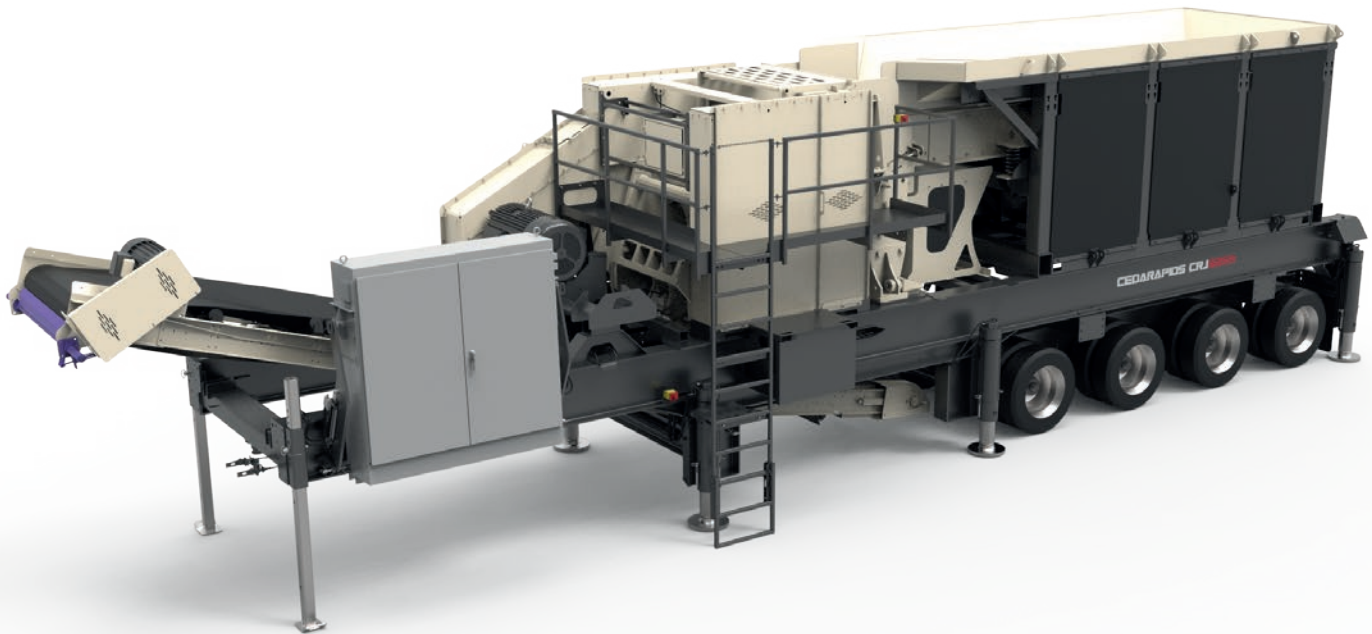




Jaw Plants

Combine the rugged reliability of our jaw crushers with a high production portable primary crushing machine and you've got Cedarapids® jaw plants.

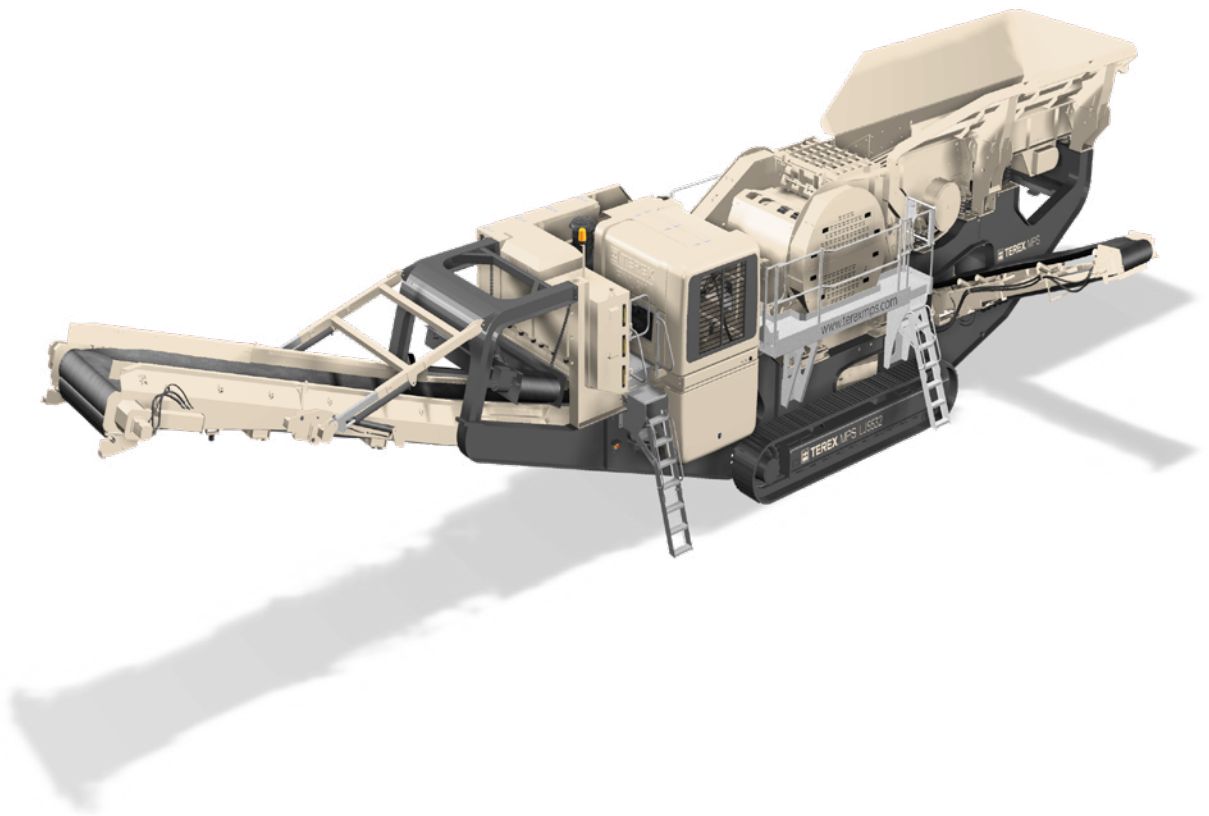
These plants are the lead machine in many different crushing set-ups, and are ready to handle practically any material. Whether you're processing shot rock, sand and gravel, or recycling concrete, Cedarapids® jaw plants are guaranteed to perform – day in and day out.



Model	Main Components	Motor Size	Capacity (MTPH)	Suspension	Weight lbs (Kg)
CRJ3042	JW42 (30" x 42") Jaw Crusher, 42" x 20' Feeder	150 hp (110 kW)	155 - 480 (140-435)	3 Axle	92,625 lbs (42,015 Kg)
CRJ3255	JW55 (32" x 55") Jaw Crusher, 52" x 20' / 24' Feeder	200 hp (150 kW)	255 - 760 (231 - 690)	4 Axle	135,585 lbs (61,500 Kg)
CRJ3750	JS3750 (37" x 50") Jaw Crusher, 52" x 20' Feeder	250 hp (185 kW)	200 - 1300 (180 - 1180)	4 Axle	172,540 lbs (78,275 Kg)

Tracked Jaw Crusher

Cedarapids Tracked Jaw Crushers offer excellent capabilities in the reduction and sizing of aggregates for construction materials and also recycling construction waste. Our range of Tracked Jaw Crushers are designed to meet the toughest demands of primary crushing applications with their impressive power, reliability and performance.

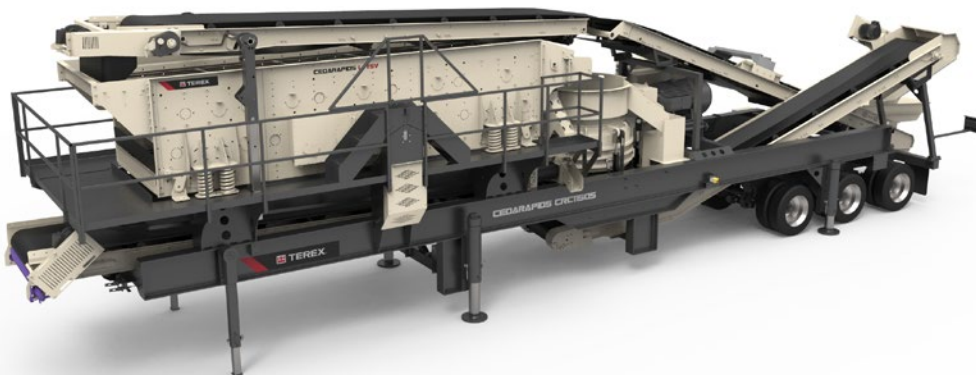


Model	Main Components	Motor Size	Capacity (MTPH)	Weight lbs (Kg)
LJ5532	JW55 (32" x 55") Jaw Crusher, 53" x 18' Feeder	440hp (328 kW)	255-760 (231-690)	165,787 lbs (75,200 kg)

Closed Circuit Cone / Screen Plants

Cedarapids® leads the world with the most advanced portable plants - which include our closed-circuit cone/screen plants to maximize efficiency.

All of our closed circuit cone plants are designed for high productivity and easy portability - enabling you to get the most out of your machinery, and your investment.



Model	Main Components	Motor Size	Capacity (MTPH)	Suspension	Weight lbs (Kg)
CRC380XHLS	MVP380X cone and LJ-TSV6203 three deck screen	300 hp (224 kW)	170-560 (155-507)	3 Axle & 4 Axle	138,300 lbs (62,735 Kg)
CRC1150S	TC1150 cone and LJ-TSV6203 three deck screen	300 hp (224 kW)	165-320 (150 -290)	3 Axle	66,100 lbs (29,990 Kg)

Open Circuit Cone Plants

Cedarapids® open circuit cone plants are built for portability – and are ideal for applications involving hard, abrasive materials.

Most commonly set up in secondary, tertiary and quaternary crushing positions, they're available with numerous options and can be integrated with almost any portable crushing system.

Furthermore, since they are all-electric, our open circuit cone plants are easy to tie into new or existing systems.



Model	Main Components	Motor Size	Capacity (MTPH)	Suspension	Weight lbs (Kg)
CRC1150	TC1150 cone	300 hp (224 kW)	165-320 (150 - 290)	2 Axle	66,100 lbs (29,990 Kg)
CRC320	TG320 cone	300hp (225 kW)	419-452 (380-410)	2 Axle	75,650 lbs (34,315 Kg)
CRC380X	MVP380X cone	300 hp (224 kW)	170-560 (155-507)	2 Axle	93,150 lbs (42,250 Kg)
CRC450X	MVP450X cone	400 hp (300 kW)	200-645 (182-585)	3 Axle	103,600 lbs (47,000 Kg)

Tracked Cone Crusher

Cedarapids Tracked Cone Crushers offer excellent capabilities in crushing mid-hard and above mid-hard ores and rocks. Our range of Tracked Cone Crushers provide flexibility, high rates of productivity and excellent product shape in secondary and tertiary applications.



Model	Main Components	Motor Size	Capacity (MTPH)	Weight lbs (Kg)
LC450	MVP450X cone	400hp (300 kW)	200-645 (182-585)	134,482 lbs (61,000 kg)

Horizontal Shaft Impactor Plants

These rugged horizontal shaft impact (HSI) crushers are matched with our high-stroke feeders to create portable crushing plants that are tough to beat in terms of productivity and efficiency – and designed to deliver years of tough crushing.



Our Closed Circuit Impactor plants are perfect for processing recycle concrete, rubble, asphalt or shot rock.

Model	Main Components	Crusher Size	Capacity (mtph)	Suspension	Weight lbs (Kg)
CRH1111R	41" x 43" Impact crusher, 43" x 14' VGF and 5' x 16' 2 Deck Inclined Screen (closed circuit plant)	200 hp (150 kW)	Up to 300 (270)	3 axle	103,650 lbs (47,015 Kg)
CRH1113R	42" x 50" Impact crusher, 48" x 18' VGF and 6' x 16' 2 Deck Inclined Screen (closed circuit plant)	300 hp (225 kW)	Up to 400 (360)	3 or 4 axle	128,070 lbs (58,092 Kg)
CRH1313R	50" x 48" Impact crusher, 48" x 16' VGF and 5' x 16' 2 Deck Inclined Screen (closed circuit plant)	300 hp (225 kW)	Up to 400 (360)	3 or 4 axle	134,900 lbs (61,190 Kg)
CRH1316	50" x 64" Impact crusher with 52" x 20' Feeder	400 hp (300 kW)	Up to 500 (455)	3 or 4 axle	121,050 lbs (54,910 Kg)

Screen Plants

Renowned for their performance and longevity, our Cedarapids® portable screen plants feature triple shaft horizontal screens with the El-Jay® oval stroke design.

They are able to handle many variations of feed materials and can produce multiple products needed at specific locations. The plants are designed for scalping and finish screening applications and, with their numerous blending capabilities, can produce a wide range of product specifications.



Model	Main Components	Motor Size	Suspension	Weight lbs (Kg)
CRS620H	LJ-TSV6203 (6' x 20') Three Deck Horizontal Screen	40 hp (30 kW)	2 Axle	53,000 lbs (24,045 Kg)
CRS620S	LJ-TSV6203 (6' x 20') Three Deck Adjustable Slope Screen	40 hp (30 kW)	2 Axle	53,000 lbs (24,045 Kg)
CRS820H	LJ-TSV8203 (8' x 20') Three Deck Horizontal Screen	50 hp (31 kW)	2 Axle	61,000 lbs (27,770 Kg)
CRS820C	LJ-TSV8203 (8' x 20') Three Deck Horizontal Screen with Feed Conveyor	50 hp (31 kW)	3 Axle	84,700 lbs (38,419 Kg)

CCM™ Control System

Controls Solutions

Standard with all switchgear panels on Cedarapids portable and modular plants, the new CCM control system gives easy one touch control for single plant or multi plant operation without the expense and complexity of a central control. The plug and play design allows you to work with any combination, sequence, or number of plants without the need for custom programming.

CCM means: Common
Control
Module



What does CCM do for your plant system?

- Improved Safety
- Reduced downtime
- Quick diagnostics & safe 24 volt control circuits and small interplant cable
- Automation & optimization built in to maximize production.

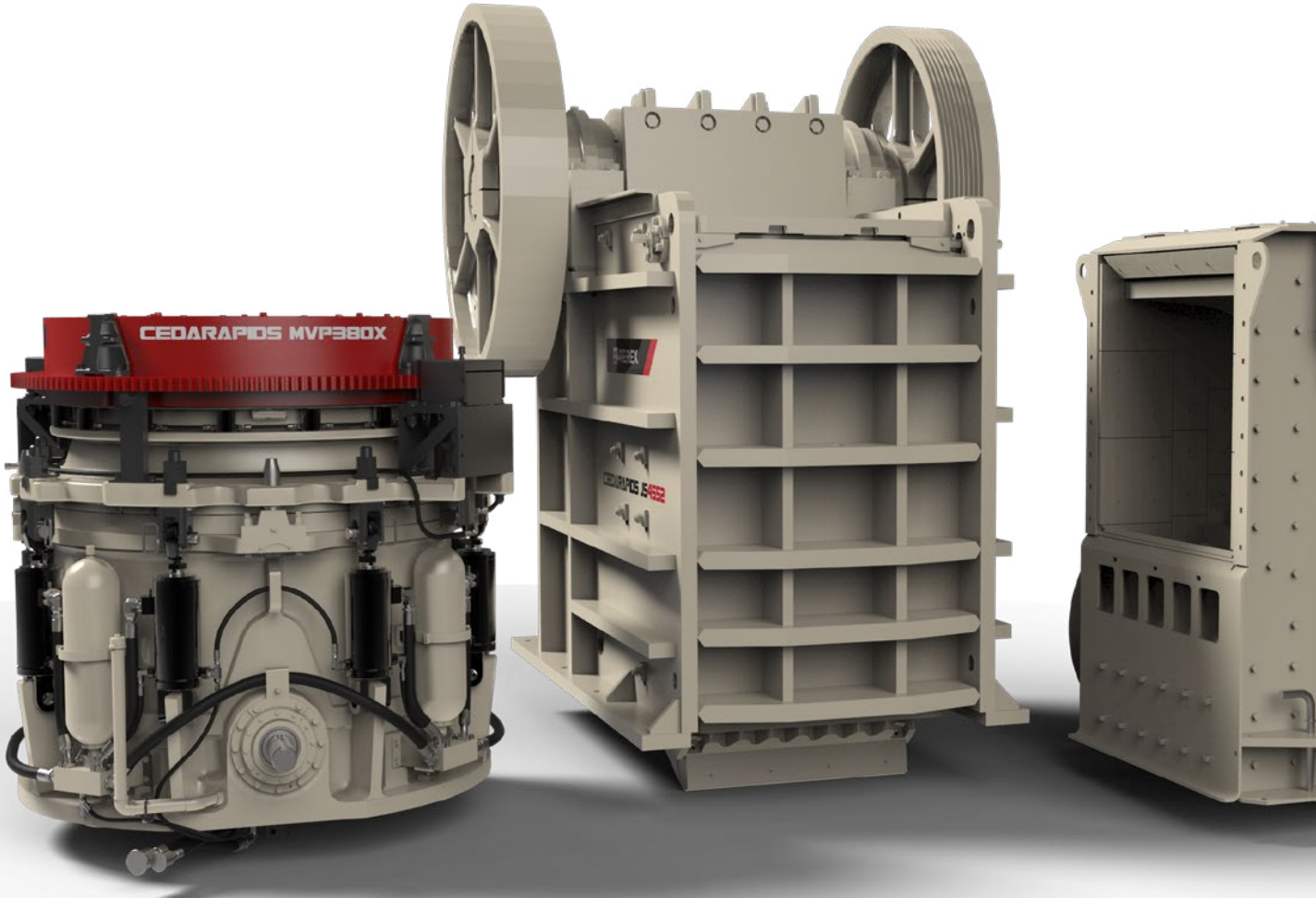




High Mobility Multi-Plant Solutions

Cedarapids modular and static plants are designed to work as one complete crushing system. Our Applications Team has years of valuable crushing and screening experience and can offer you expert guidance in choosing the right equipment to put together an efficient, cost effective system for your particular application. The power of the CCM control system allows you to connect each plant in the system for easy one touch control.





Cedarapids® Static

Designed
to Deliver.
Built to Last.

Cedarapids® Static products are designed with you in mind. That means we've built in ease of use. Flexibility. Reliability. Efficiency. This is equipment you can count on to deliver optimum performance, whatever your industry, whatever your location, day in and day out.

And with fast, easy maintenance as standard, you can look forward to minimal downtime and enhanced profitability.



Jaw Crushers

Our jaw crushers with a proven track record of outstanding performance and productivity.

They're easy to use and built to last, designed to help you maximize profitability day in and day out.

With features like the advanced engineering behind the range is setting new standards for industry.



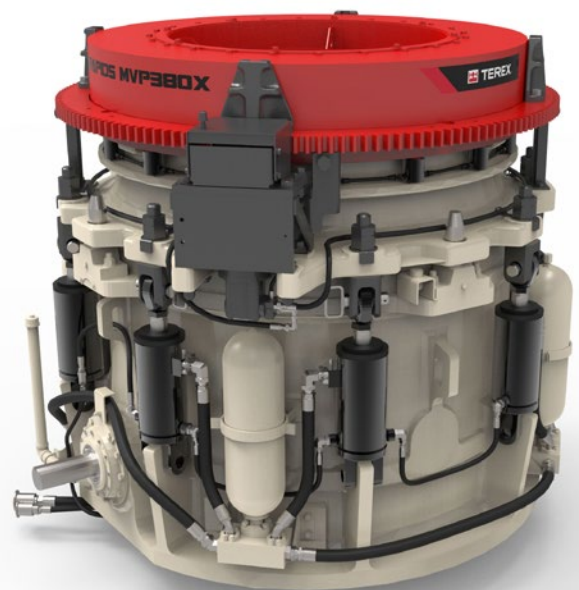
Model	Motor Size	Capacity (MTPH)	Feed Opening (mm)	Setting Range (mm)	Crusher Weight
JC2236	100 hp (75 kW)	60 - 265 (55 - 240)	22 x 36" (559 x 914)	2.5 - 6" (65 - 150)	24,900 lbs (11,300 Kg)
JW42	150 hp (110 kW)	155 - 480 (140-435)	30 x 42" (762 x 1092)	3 - 8" (76 - 203)	39,100 lbs (17,700 Kg)
JW55	200 hp (150 kW)	255 - 760 (231 - 690)	32 x 55" (762 x 1391)	3.5 - 9" (85 - 225)	57,860 lbs (26,250 Kg)
JS3750	250 hp (185 kW)	200 - 1300 (180 - 1180)	37 x 50" (940 x 1270)	4 - 12" (100 - 300)	80,000 lbs (36,290 Kg)
JS4552	300 hp (225 kW)	200 - 1300 (180 - 1180)	45 x 52" (1143 x 1321)	4 - 12" (100 - 300)	104,600 lbs (47,450 Kg)
JC5460	400 hp (300 kW)	425 - 1700 (385 - 1540)	54 x 60" (1372 x 1524)	6 - 12" (150 - 300)	196,260 lbs (89,030 Kg)

Roller Bearing Cone Crushers

The advanced engineering behind our cone crushers is re-setting industry benchmarks. The cones feature the Rollercone® bearing design plus the hydro-pneumatic tramp iron relief system.

The full line-up, from 200 to 500 hp (150 to 375 kW), can process up to 800 tph (725 mtp) and is capable of handling sand and gravel, shot rock and recycled materials.

What's more, each model combines high product quality and high throughput capacities with low operational costs



Model	Motor Size	Capacity (MTPH)	Maximum Feed Size	Cone Head Diameter	Crusher Weight
RC45 III	200 hp (150 kW)	170-380 (154-345)	9" (225 mm)	44" (1118 mm)	32,000 lbs (14,500 Kg)
TC1000	250 hp (185 kW)	75 -240 (68 -218)	7 1/2" (195 mm)	40" (1016 mm)	22,040 lbs (9,997 Kg)
TC1150	300 hp (224 kW)	165-320 (150 - 290)	8 1/2" (220 mm)	45" (1143 mm)	31,360 lbs (14, 225 Kg)
TC1300	300 hp (224 kW)	180-350 (163 - 318)	8 1/2" (220 mm)	51" (1295 mm)	48,500 lbs (22, 000 Kg)
MVP380X	300 hp (224 kW)	170-560 (155-507)	11 1/8" (283 mm)	48" (1219 mm)	46,000 lbs (20,800 Kg)
MVP450X	400 hp (300 kW)	200-645 (182-585)	12 15/16" (329 mm)	54" (1372 mm)	52,500 lbs (23,800Kg)
MVP550X	500 hp (375 kW)	250-810 (228-737)	13 5/8" (346 mm)	60" (1524 mm)	68,000 lbs (30,800 Kg)

Spider Bearing Cone Crushers

These impressive new cone crushers can be easily & efficiently set up to perform and deliver the best cost per ton cubicle product by selecting the optimum crushing cavity and eccentric throw to suit the application requirements. From a course secondary right through to fine quaternary, the TG series cone crushers will consistently exceed all performance expectations.



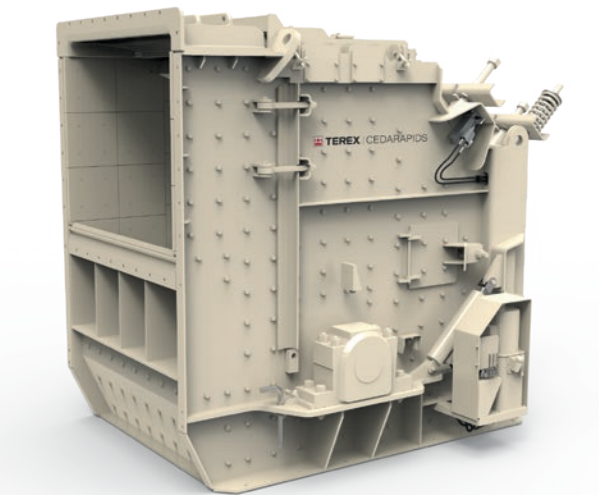
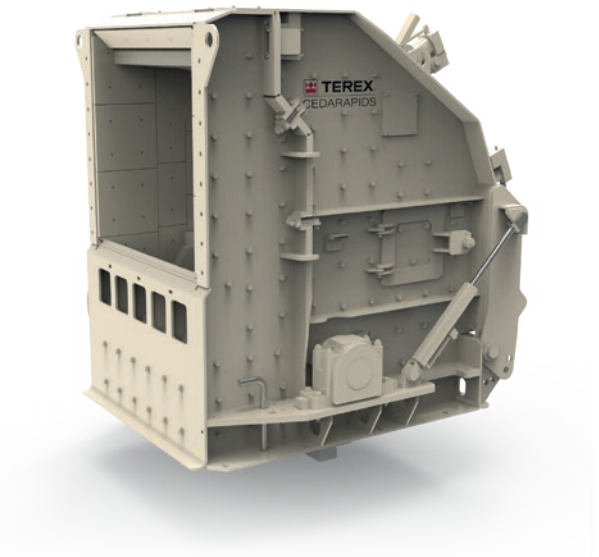
Model	Motor Size	Capacity (MTPH)	Maximum Feed Size	CSS Range	Crusher Weight
TG120	120hp (90kW)	121-143 (110-130)	5" (125mm)	1/4 - 1 1/8" (6-29mm)	12,125lbs (5,500kg)
TG220	215hp (160kW)	215-237 (195-215)	6.5" (165mm)	1/4 - 1 1/4" (6-32mm)	20,945lbs (9,500kg)
TG320	335hp (250kW)	419-452 (380-410)	7.5" (190mm)	5/16 - 1 1/2" (8-38mm)	33,070lbs (15,000kg)
TG420	422hp (315kW)	706-750 (640-680)	9.5" (240mm)	1/2 - 1 3/4" (13-44mm)	55,556lbs (25,200kg)
TG820	805hp (600kW)	1543-1709 (1400-1550)	12.6" (320mm)	1/2 - 2 1/2" (13-64mm)	110,231lbs (50,000kg)
TG1020	1006hp (750kW)	2315-2535 (2100-2300)	13.2" (355mm)	1/2 - 2 3/4" (13-70mm)	170,000lbs (77,000kg)
TGS120	120hp (90kW)	146-158 (132-143)	7.5" (190mm)	5/16 - 1 1/8" (9-35mm)	15,102lbs (6,850kg)
TGS220	215hp (160kW)	358-379 (325-344)	10.8" (275mm)	3/4 - 1 3/8" (19-35mm)	26,676lbs (12,100kg)
TGS320	335hp (250kW)	634-662 (575-601)	13" (330mm)	1 1/8 - 1 7/8" (29-48mm)	42,990lbs (19,500kg)
TGS420	422hp (315kW)	1102-1157 (1000-1050)	15.2" (385mm)	1 1/2 - 2 3/4" (38-70mm)	80,469lbs (36,500kg)

*Maximum Feed Size based on a feed of F₉₅
Crusher range not to scale

Horizontal Shaft Impactors

With their large feed openings, heavy duty aprons and rugged rotors, our crushers are designed to handle big feed sizes and high capacity crushing.

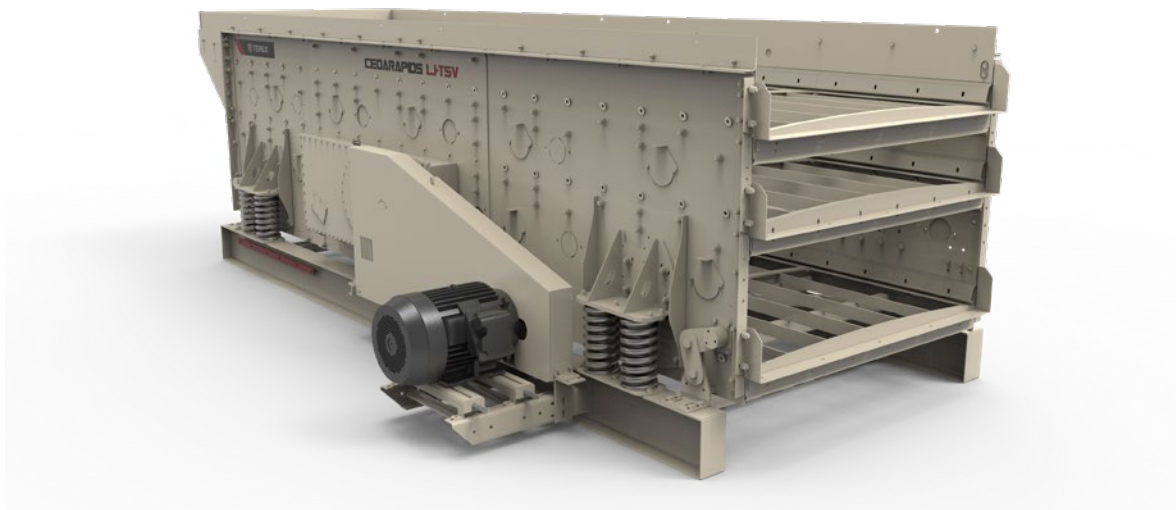
The patented wedge bar system is just one of many features that ensure reliable operation. Maintenance is fast and easy, which helps minimize downtime.



Model	Motor Size	Capacity (mtph)	Inlet Size (mm)	Rotor Size Diameter x Width (mm)	Number of Blowbars	Crusher Weight
IP1313	300 hp (225 kW)	150-300 (135-270)	43" x 49" (1100 x 1240)	50 x 48" (1270 x 1220)	3 or 4	30,800 lbs (13,970 Kg)
IP1316	400 hp (300 kW)	250 - 400 (225-365)	43" x 64" (1100 x 1645)	50 x 64" (1270 x 1625)	3	38,500 lbs (17,465 Kg)
IP1516	600 hp (450 kW)	600-800 (545-725)	52" x 65" (1320 x 1650)	61 x 64" (1550 x 1625)	3	55,700 lbs (25,260 Kg)
TI4143	180 hp (130 kW)	90-300 (80 - 270)	31" x 44" (800 x 1130)	41" x 43" (1035 x 1100)	4	21,915 lbs (9,940 Kg)

Horizontal Screens

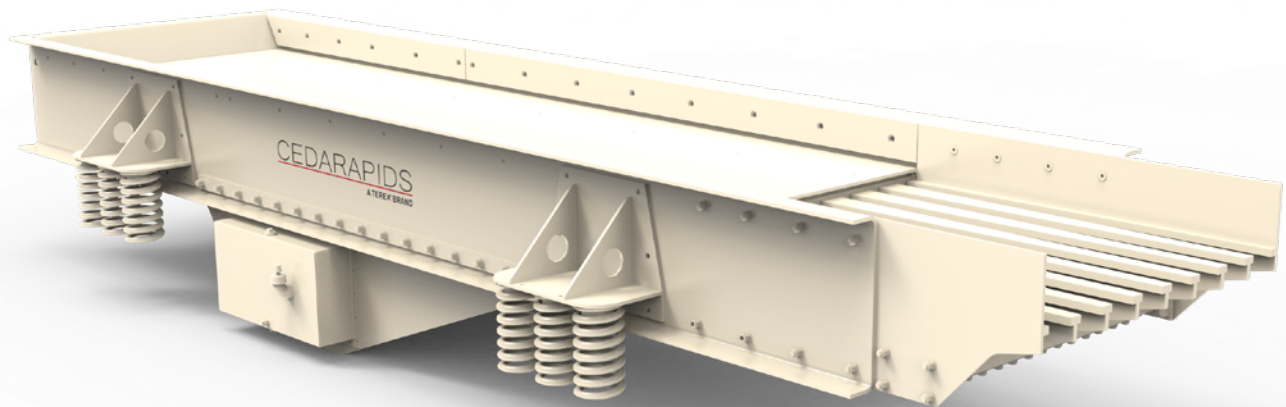
The LJ-TSV screen is built even stronger and combines the legendary El-Jay® oval stroke with the unique ability to install at various slopes, increasing production and handling more applications than traditional horizontal screens.



Screen	Motor Size	Weight	Bearing Size	Length (mm)	Width (mm)	Number of Decks
LJ-TSV 5162-26	25 hp (19 kW)	13100 (5,942 Kg)	130mm	192" (4877)	64" (1626)	2
LJ-TSV 5163-26	30 (22 kW)	16600 (7,530 Kg)	130mm	192" (4877)	64" (1626)	3
LJ-TSV 6162-32	30 (22 kW)	15900 (7,212 Kg)	160mm	192" (4877)	76" (1930)	2
LJ-TSV 6163-32	40 (30 kW)	19600 (8,890 Kg)	160mm	192" (4877)	76" (1930)	3
LJ-TSV 6202-32	40 (30 kW)	19100 (8,665 Kg)	160mm	240" (6096)	76" (1930)	2
LJ-TSV 6203-32	40 (30 kW)	22650 (10,275 Kg)	160mm	240" (6096)	76" (1930)	3
LJ-TSV 7202-38	50 (37 kW)	23000 (10,435 Kg)	190mm	240" (6096)	88" (2235)	2
LJ-TSV 7203-38	50 (37 kW)	27500 (12,475 Kg)	190mm	240" (6096)	88" (2235)	3
LJ-TSV 8202-38	50 (37 kW)	24250 (11,000 Kg)	190mm	240" (6096)	100" (2540)	2
LJ-TSV 8203-38	50 (37 kW)	29500 (13,385 Kg)	190mm	240" (6096)	100" (2540)	3

Vibrating Grizzly Feeders

The Advantage Series VGF provides high production and long service life in a wide range of rigorous applications. The feeder design allows for better crushing equipment utilization. The large stroke produces high throughput tonnage with superior material separation at the grizzly. You get the most out of your primary crusher by feeding only what needs to be crushed. Overall operating costs are decreased, strengthening your return on investment



Model	Motor Size	Width (mm)	Length (mm)	Pan Length (mm)	Bearings	Weight
VGF3514-09	30 hp (22.5 kW)	35" (889)	14' (4267)	9' (2743)	90 mm	8000 lbs (3,629 Kg)
VGF3517-12	30 hp (22.5 kW)	35" (889)	17' (5182)	12' (3658)	90 mm	9000 lbs (4082 Kg)
VGF4217-12	40 hp (30 kW)	42" (1067)	17' (5182)	12' (3658)	100 mm	10,000 lbs (4536 Kg)
VGF4220-15	40 hp (30 kW)	42" (1067)	20' (6096)	15' (4572)	100 mm	11,200 lbs (5080 Kg)
VGF5217-12	40 hp (30 kW)	52" (1321)	17' (5182)	12' (3658)	100 mm	11,200 lbs (5080 Kg)
VGF5220-15	40 hp (30 kW)	52" (1321)	20' (6096)	15' (4572)	100 mm	12,500 lbs (5670 Kg)

Cedarapids® Services

Proven Success, Global Reach

A comprehensive range of services. Original spare and wear parts. Customizable solutions to meet your exact needs. Outstanding technical expertise and support.

This is what Cedarapids® delivers to businesses – and what it delivers to businesses throughout the world via our global distribution network, service and distribution facilities and regional warehouses.

Spare and Wear Part Support

Our OEM parts help maintain and enhance the performance of your equipment – and you can count on us to get you the spare and wear parts you need, when you need them.

Cedarapids® parts are manufactured according to exact specifications, using high-quality materials, tools and techniques. By using genuine parts you are helping to ensure the maximum performance and longevity of your machines.

A Shared Focus


We understand your key focus is delivering your operational and financial goals. We share that focus: it's how we both measure success.

By combining our global service network and proven, in-depth industry knowledge with your operational expertise we're able to provide you with the right solution to deliver a quality end product – with increased productivity.

Field Services

We offer a comprehensive set of field services to meet your maintenance, repair and refurbishment needs – which means you get a cost-effective alternative to purchasing new or replacement equipment.

Our experienced field service and distribution network are available to you on site or at our global service facilities. We can repair broken or damaged equipment to like-new condition and restore worn or irreplaceable equipment to perfect operating condition – which minimizes costly downtime for you.



Combining our global service network and deep industry knowledge with your operational expertise ensures that we provide the best solutions...

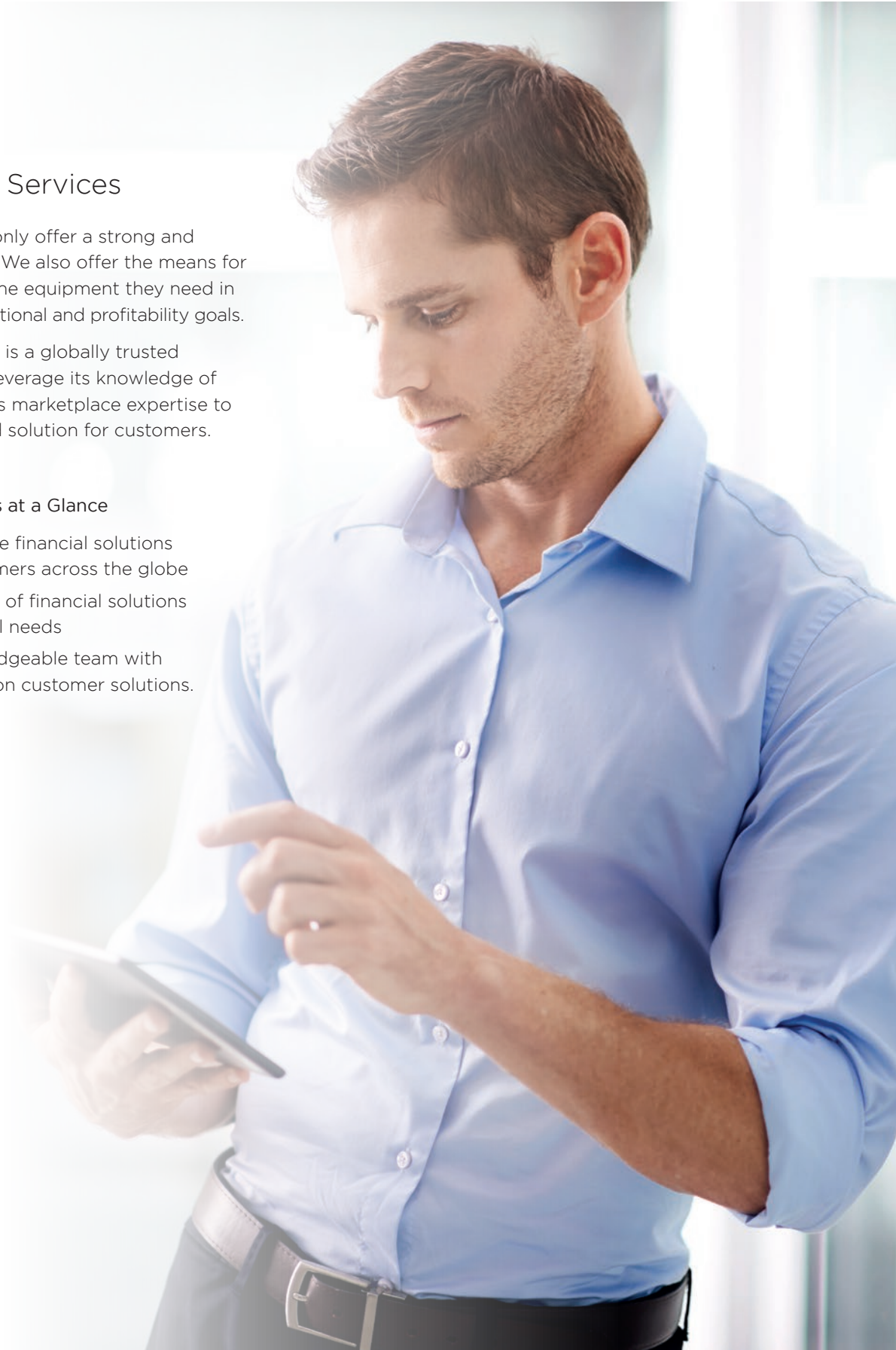
Terex® Financial Services

At Cedarapids® we not only offer a strong and broad product portfolio. We also offer the means for customers to purchase the equipment they need in order to meet their operational and profitability goals.

Terex® Financial Services is a globally trusted resource that is able to leverage its knowledge of Terex® equipment plus its marketplace expertise to provide a unique tailored solution for customers.

Terex® Financial Services at a Glance

- Providing cost-effective financial solutions to thousands of customers across the globe
- A comprehensive suite of financial solutions tailored to fit individual needs
- Dedicated and knowledgeable team with global reach, focused on customer solutions.





www.terexmps.com
mpsmarketing@terex.com

Product specifications and prices are subject to change without notice or obligation. The photographs and/or drawings in this document are for illustrative purposes only. Refer to the appropriate Operator's Manual for instructions on the proper use of this equipment.

Failure to follow the appropriate Operator's Manual when using our equipment or failure to act responsibly may result in serious injury or death.

The only warranty applicable to our equipment is the standard written warranty applicable to the particular product and sale, and Terex makes no other warranty, express or implied. Terex, the Terex Crown design, Cedarapids, Canica, Simplicity, Jaques, El-Jay and Rollercone are trademarks of Terex Corporation or its subsidiaries. All rights are reserved. © October 2021

